

HPRP6HT

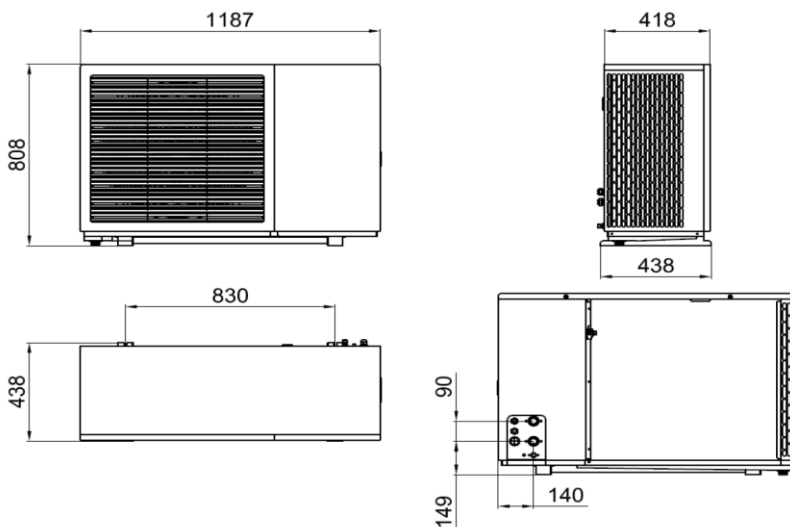
Ritter Thermal Plus R290, High Temp HP, 6kW



Technical Specification

Heating Capacity Range (kW): 2.92-9.10
 Max Power Input (kW): 3.5
 Max Current Input (Amps): 15.0
 Max Output Temp: 75°C
 COP 35-30°C @ 7°C: 4.77
 COP 65-55°C @ 7°C: 2.56
 COP 35-30°C @ 2°C: 3.98
 COP 65-55°C @ 2°C: 2.14
 Refrigerant: R290
 Sound Pressure 1(m) 46dBA
 Water Connection (Inch): 1
 Water Flow Volume (m³/h): 1
 Pump Pressure (m/H₂O): 12.0
 Weight: 128 kg

Compressor: Highly
 Water pump: Shimge
 Condenser: Danfoss



Application

The Ritter Thermal Plus R290, High Temp HP, 6kW is used in heating & cooling systems to generate hot and cold water using electricity and is installed mostly outside the plant room.

Warranty

[Download the latest warranty statement](#)

Features

Ritter thermal is an inverter air to water heat pump with R290 refrigerant and high efficiency, optimized for underfloor, radiator & hot water applications. High quality and efficient compressor, fan and water pump is used to ensure the low noise level with insulation.

The heat pump is designed with attractive powder coated galvanized sheet case with stylish full width grills

The PC microcomputer based controller is available for the users to review or set the running parameters of the heat pump with a smart phone and app control.

This series of heat pump is designed to work under different working conditions as low as -25 degrees for heating.