

AVD546118

Caleffi 40mm Magnetic Deaerator-Dirt Separator
10Bar 110°C



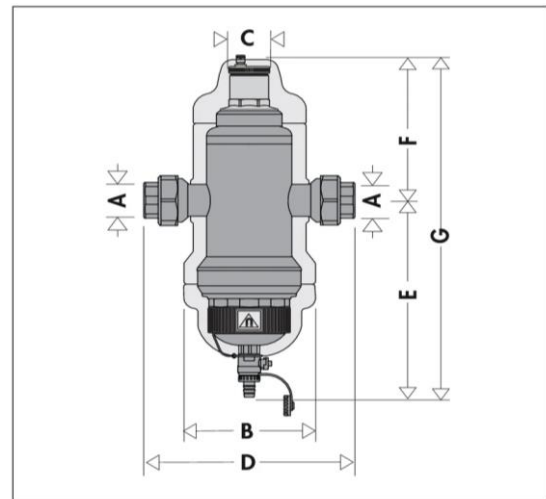
Technical Specification

Materials:

- Body: epoxy resin coated steel
- Dirt separation chamber: brass EN 12165 CW617N
- Automatic air vent body: brass EN 12165 CW617N
- Internal element: PA66G30
- Float: PP
- Float guide and stem: brass EN 12164 CW614N
- Float lever and spring: stainless steel
- Hydraulic seals: EPDM
- Drain cock: brass EN 12165 CW617N

Performance:

- Medium: water, non-hazardous glycol solutions
- Max. percentage of glycol: 50%
- Max. working pressure: 10bar
- Working temperature range: 0–110°C
- Particle separation rating: up to 5 µm
- Ring system magnetic induction: 2 x 0,3 T



Code	A	B	C	D	E	F	G	Mass (kg)
546118	1 1/2"	180	55	283	297	218,5	515,5	10
546119	2"	180	55	315	311	253,5	564,5	13

Application

The Caleffi 40mm Magnetic Deaerator-Dirt Separator 10Bar 110°C is used in heating & cooling systems to eliminate circulating air and is installed mostly in plant rooms.

Warranty

[Download the latest warranty statement](#)

Features

Deaerators-dirt separators are used to continuously eliminate the air and dirt contained in the hydraulic circuits of heating and cooling systems. They are capable of automatically removing all the air from the system down to the micro-bubble level. At the same time they separate dirt and impurities contained in the water within the circuit and collect them in the lower part of the valve body, from which they may be expelled. The magnet separates ferrous impurities.

The circulation of fully deaerated water enables the equipment to operate under optimum conditions, free from any noise, corrosion, localised overheating or mechanical damage.