

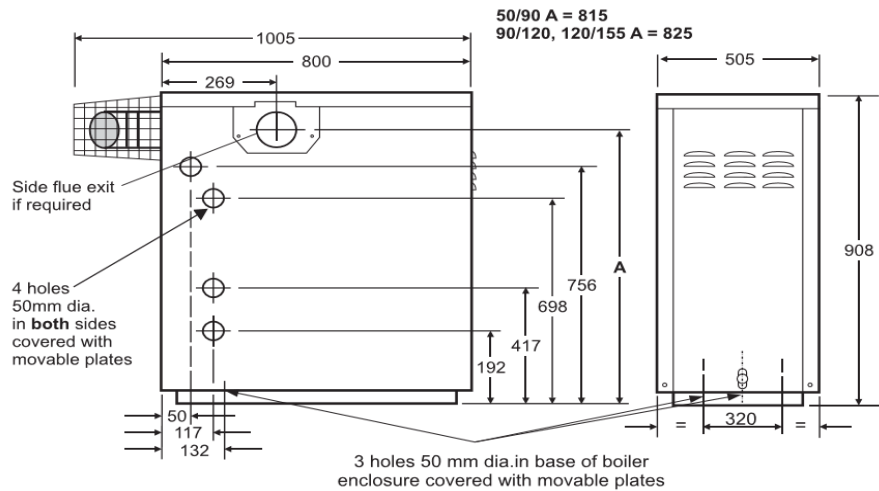
DBVO36

Grant Vortex Outdoor Diesel Condensing Boiler
36kW



Technical Specification

- Water content litre: 21
- Weight (dry) kg: 142
- Max. heat output kW: 36
- Flow & Return connections: 28mm
- Min. flow rate ($\Delta T=10^{\circ}\text{C}$) l/h: 3,000
- Condensate connection: 22mm
- Waterside resistance: 26 mbar
- Maximum static head: 28m
- Boiler thermostat range: 65°C to 75°C
- Limit (safety) stat shut off temp: 111°C
- Max. hearth temperature: 50°C
- Electricity supply: 240v - 50hz @ 5amp
- Motor power: 90 watts
- Starting current: 2.6 amps
- Running current: 0.85 amps
- Oil connection: 1/4" BSP
- Max operating press: 2.5 bar



Warranty

[Download the latest warranty statement](#)

Features

- Floor standing outdoor 26.0 - 36.0 kW diesel condensing boiler with dual set point for central heating and or an indirect domestic hot water system.
- High efficiency three pass cast iron heat exchange sections with an internal Riello RDB blown diesel burner, automatic air vent valve, circulating pump, expansion tank and safety valve.
- 900mm high x 505mm wide x 800mm deep
- Made in Ireland