

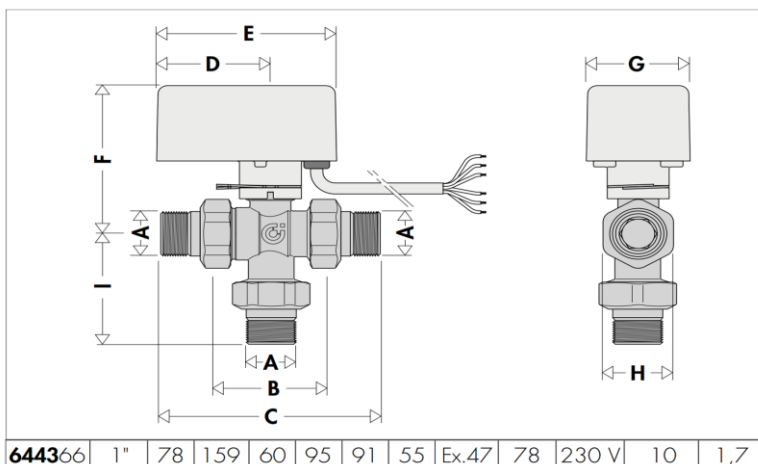
ZV644366

Caleffi 644 Series 3-Way Zone Valve 25mm



Technical Specification

- Body: brass, EN 12165 CW617N
- Ball: brass EN12165 CW617N
- Medium: water, glycol solutions
- Max. percentage of glycol: 50%
- Temperature range: -5 – 110°C
- Max. working pressure: 10bar
- Synchronous motor: Power open & close
- Supply: 230V - 50/60Hz
- Power consumption: 9W; 8VA
- Opening & closing time: 10s
- Microswitch contacts rating: 6A
- Protection class: IP40
- Max. ambient temperature: 55°C
- Length of power cable: 5x0.75mm² - 100cm



Application

The Caleffi 644 Series 3-Way Zone Valve 25mm is used in heating & cooling systems to control water flow rate or balancing and is installed mostly in plant rooms.

Warranty

[Download the latest warranty statement](#)

Features

The motorised diverter valves can be used to automatically divert the medium in air-conditioning and hydraulic/domestic water systems. The exceptional hydraulic performance level of this particular series of valves combined with reduced dimensions and practical installation make the products especially suited to heating systems and domestic hot water production systems:

- no seepage;
- short operating times (valve – opening/closing);
- can function with high differential pressures;
- low head losses