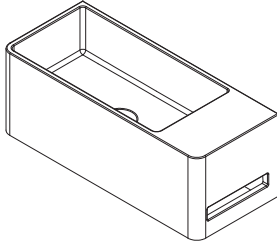


## CARE AND MAINTENANCE

Our basins are unique with the colour sealed finish giving them good water tolerance, enhancing the colour and protecting the sink from wear, but it's not invincible. It is best practice that you avoid the use of abrasive cleaners, soaps or harsh scrubbers that could potentially wear down the sealer. We recommend using mild, nonabrasive, non-ammonia, non-acidic cleaners.

General cleaning is best done using a soft cloth and a mild soap of neutral pH. It is recommended to apply a wax to maintain the concrete sink every 6 months, especially in areas that are prone to lime scale.

## YOUR WALL MOUNT SINK KIT WILL CONTAIN



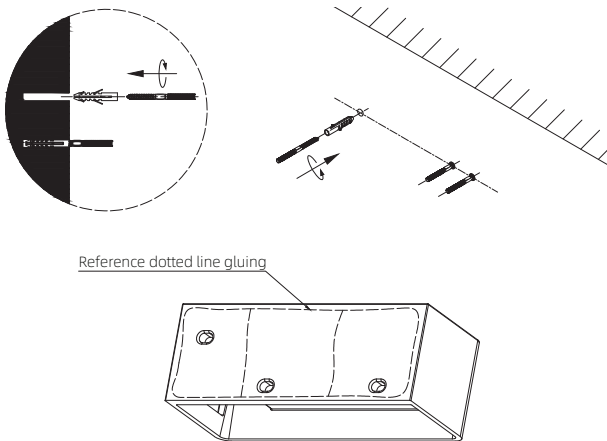
Concrete Basin x 1



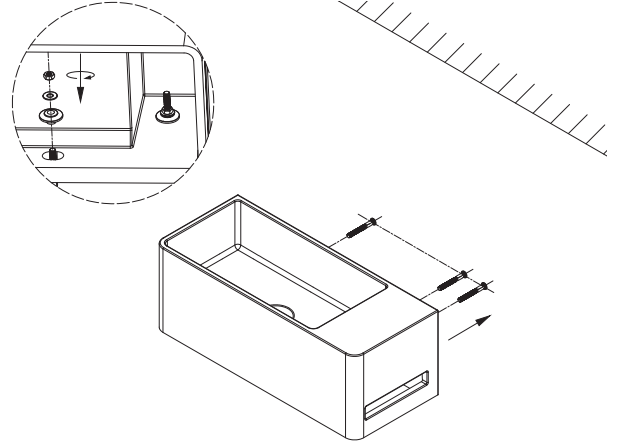
Drainer x 1



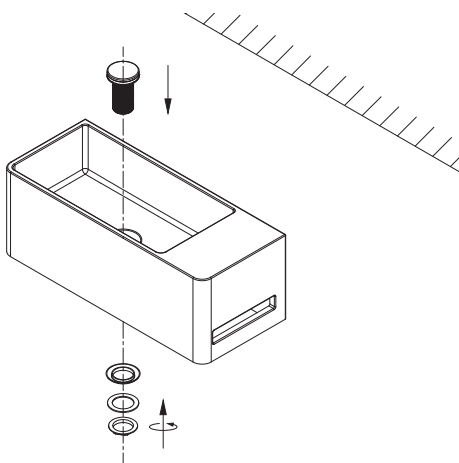
Expansion screws x 3



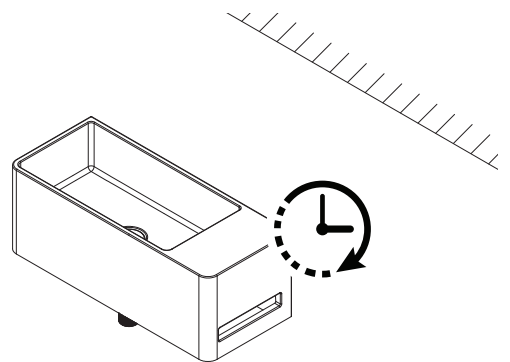
1. Drill bolt holes on the wall using the basin as the template. Secure bolts to the wall using a wrench, and apply glue to the back of the basin.



2. Slide the basin onto bolts through the hole on the back of the basin, adjust the position to ensure level, and then secure and lock into position with the nuts.



3. Thread the drainer through the waste hole in the basin and tighten with locking nut



2. After installing the basin, wait for the glue to dry before connecting waste pipework and tapware.