

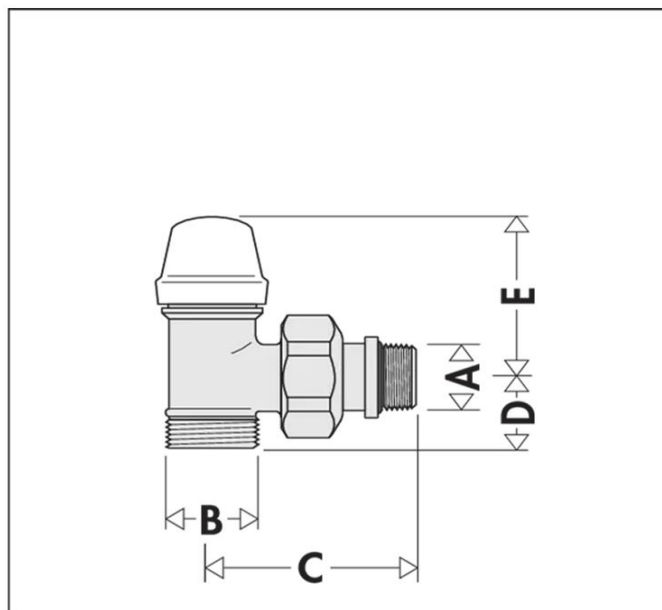
RV342402P

Caleffi Angled Radiator Valve (PeX)



Technical Specification

Radiator connection: 1/2" Male
 Pipe connection: 23 p. 1,5
 Maximum working pressure: 10 bar
 Medium temperature range: 5–100 °C
 Finish: chrome
 Material: brass



Code	A	B	C
342402	1/2"	23 p.1,5	53,5

Code	D	E	Mass (kg)
342402	21,5	39	0,225

Application

The Caleffi Angled Radiator Valve (PeX) is used in plumbing, heating & cooling systems to control water temperature and is installed mostly at point of delivery.

Warranty

[Download the latest warranty statement](#)

Features

- Lockshield valve
- Angled connections
- For copper, simple plastic and multi-layer plastic pipe