

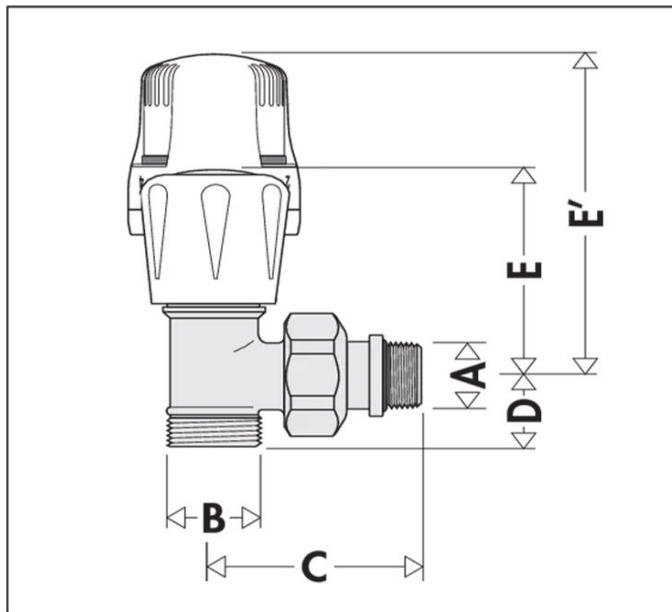
RV338402P

Caleffi Angled Radiator Valve (PeX)



Technical Specification

Radiator connection: 1/2" Male
 Pipe connection: 23 p. 1,5
 Maximum working pressure: 10 bar
 Medium temperature range: 5–100 °C
 Finish: chrome
 Material: brass



Code	A	B	C
338402	1/2"	23 p.1,5	53,5

Code	D	E	E'	Mass (kg)
338402	20,5	51,5	100	0,210

Application

The Caleffi Angled Radiator Valve (PeX) is used in plumbing, heating & cooling systems to control water temperature and is installed mostly at point of delivery.

Warranty

[Download the latest warranty statement](#)

Features

Convertible radiator valve fitted for thermostatic control heads and thermo-electric actuator
 Angled connections
 For copper, simple plastic and multi-layer plastic pipe