

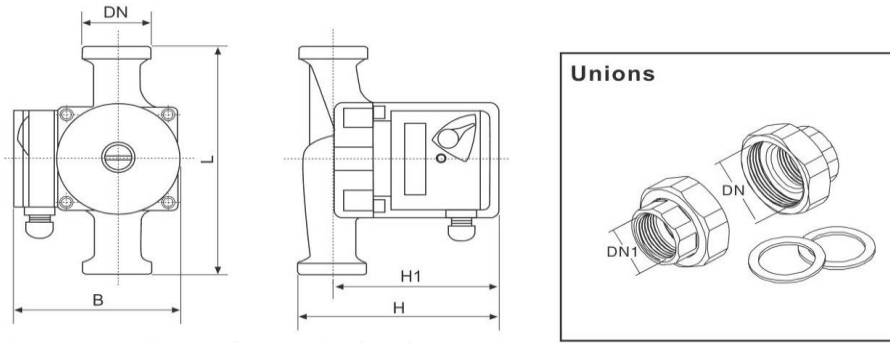
# PUSPC25SS-HE

SPC high efficiency circ. pump, 25mm stainless steel



## Technical Specification

- Connection: 25mm female unions
- Body Construction: Stainless steel
- Maximum head: 6mtr
- Maximum flow: 2.8m<sup>3</sup>/h
- Power supply voltage: 230V 50/60Hz, PE
- Motor protection: No external protection required
- IP class: IP44
- Insulation class: H
- (RH) Humidity:Max. 95%
- System pressure: 10bar maximum
- Compliance
- Environment temperature: 0 - 40°C
- Temperature class: TF110
- Liquid temperature: -30 - 110°C(Glycol up to 50%)



MODEL	DN	POSITION	P1 (w)	IN (A)	SIZE (mm)				G.W (KG)	UNIONS	
					H	H1	L	B		DN	DN1
SCP25-6S	G1½"	3	100	0.45	130	105	180	130	3.34	G1½"	G1"
		2	70	0.35							
		1	55	0.25							

## Application

The SPC high efficiency circ. pump, 25mm stainless steel is used in heating & cooling systems to control water flow rate or balancing and is installed mostly in plant rooms.

## Warranty

[Download the latest warranty statement](#)

## Features

Swiss Pump Company high efficiency circulating pump

Equipped with Self Adapting Mode(Auto Mode, Factory Setting), pump runs once the power is connected and adapts its performance according to actual system needs. Control is effected by digital pulse-width modulation (PWM) low-voltage signal, enabling the pump to be used to meet different flow requirement in various systems.

With low noise they can be installed anywhere and A class energy efficiency, Power consumption lowest to 5W.

Featuring over-voltage and over-current protection

Quick release power plug to start-up and stop the pump quickly.

Stainless steel body recirculating pump with 25mm union connections.