

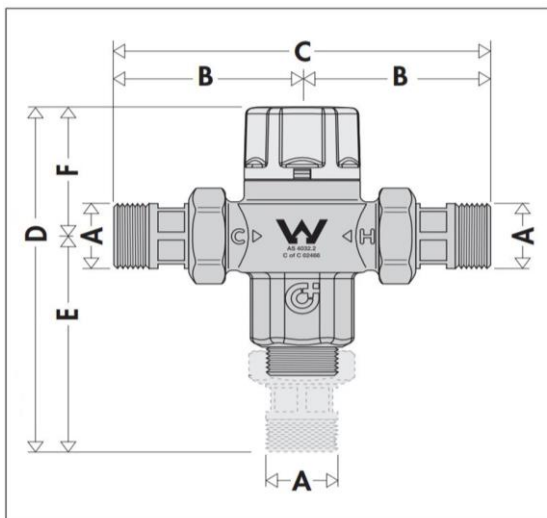
CTV20

Caleffi 5213 20mm Tempering Valve



Technical Specification

- Temp Adjustment Range 30 - 50°C
- Temp Control +/- 3°C
- Max inlet Temp. 85°C
- Operating Press. (Dynamic) Range 20 - 500kPa
- Max Working Pressure (Static) 1400kPa
- Max. unbalanced dynamic supply differential 6:1
- Min. flow rate 4L/min
- Min. Operating Temp. Differential for thermal shutoff 10°C
- Material DZR Alloy EN 12165 CW602N
- Approvals: Certified to AS 4032.2



Code	521319 AUS
A	Ø 20
B	69
C	138
D	126,5
E	84
F	42,5

Application

The Caleffi 5213 20mm Tempering Valve is used in plumbing systems to control water temperature and is installed mostly to feed a bathroom.

Warranty

[Download the latest warranty statement](#)

Features

- Anti-Scalding shutdown.
- Hot and cold side check valves
- The valve can be installed in any position, whether vertical or horizontal. To allow for maintenance, it is essential that access to the valve and fittings is not impeded.
- Adjustable temperature control.