

PRV6-40

Caleffi 536 Series Pressure Reducing Valve 40mm



Technical Specification

Materials:

Body: brass EN 1982 CB753S

Cover: brass EN 12165 CW617N

Membrane: NBR

Seal: NBR

Seat and filter: stainless steel

Performance:

Max pressure upstream: 25 bar

Downstream pressure setting range: 0.5–6 bar

Factory setting: 3 bar

Max working temperature: 80°C

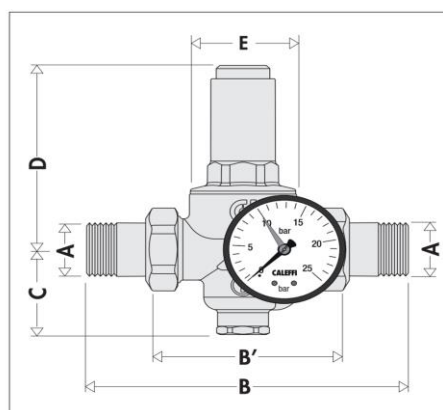
Pressure gauge scale: 0–10 bar downstream

Medium: water

Certification: EN1567

Connections: - 1&1/2" M DN male unions

Pressure gauge connections: 1/4" F



DN	A	B	B'	C	D		E	Weight (kg)
					1 st stage	2 nd stage		
40	1 1/2"	220	120	62,8	135,2	130,2	Ø 72	4

Application

The Caleffi 536 Series Pressure Reducing Valve 40mm is used in plumbing systems to control water pressure and is installed mostly in plant rooms.

Warranty

[Download the latest warranty statement](#)

Features

Pressure reducers are devices which, when installed on a water system, reduce and stabilise the pressure entering from the mains.

This incoming pressure is generally too high and variable to be applied directly to domestic systems.

A basic characteristic of a good pressure reducer is that it makes it possible to maintain constant downstream pressure when the upstream pressure varies.